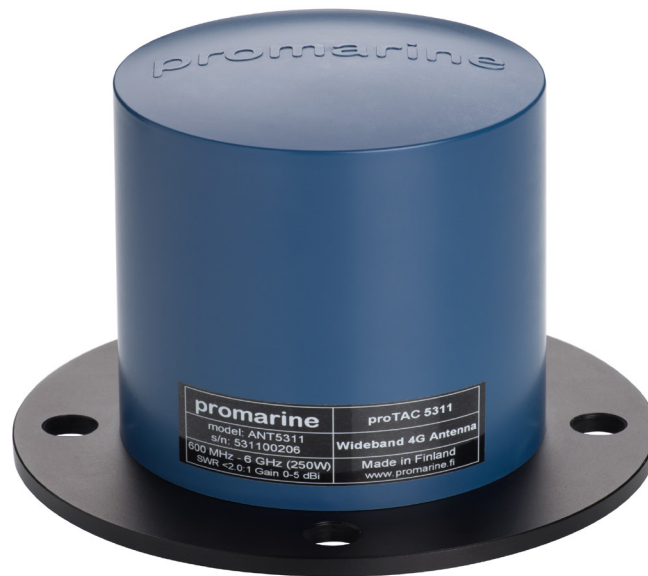


proTAC™ 5311

Wireless GSM/4G/WLAN communication antenna



Space quality and military performance in compact and robust package for affordable price – innovative communications antenna for 4G data routers and voice communication systems.

Covers all 2G, 3G and 4G frequencies used worldwide (GSM, GPRS, DCS, UMTS, WCDMA, LTE, WLAN...)

Only proTAC™ can offer you these benefits

- Huge cost savings in satellite based data

- 4 antennas in one with 5dBi gain - without compromises
- longer range than standard antennas > 35km
- provides stable connection – good for critical ERP and VPN systems
- replaces existing antennas
- lightning and ESD protected
- works in all continents – in every network

Frequency range: 800MHz – 2.6GHz (extended range from 600MHz to 6GHz)

Gain: upto 5dBi RF Power: 250W

Grounding: DC-grounded

Connector: N-type (female at bottom)

Size: 90mm (dome diameter) 120mm (height) 0.6kg (weight) waterproof

KEY FEATURES

- Range > 35km
- 4 antennas in one with 5dBi gain
- 800 MHz - 2,6 GHz
- Robust design
- RF power up to 250W
- Blue colour

PROPOSED INSTALLATION

proISOTM series galvanic isolators can be used to prevent ground leaks and loops



Mounting adaptor (stainless stel) from 140mm flange mount to 1 ¼" -11TPI available

Antenna gain

1-5 dBi

Powerhandling

Continuous total 250W

Mounting

proTAC™ 4-bolt flange mount O-ring supplied for sealing optional flange mount to 1 ¼" -11TPI standard mount adaptor

Connector

N-type female at bottom

Environmental

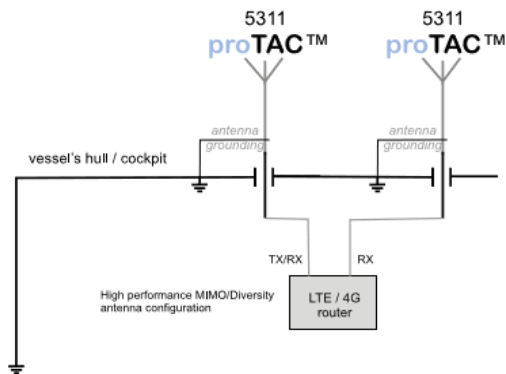
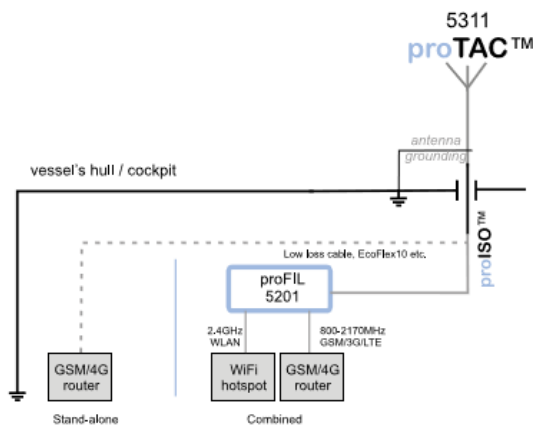
Case IP68 shock proof Operating temp: -30° - +60°

Material

Anodized Aluminium base (electrically conducting) Radome moulded plastic (ASA)

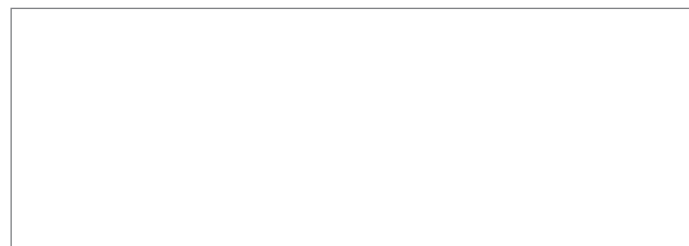
Dimensions

Height: 120mm (with connector) Width: 90/140mm (radome/ base plate) Weight: 600g



Frequency range

Frequency / band	VSWR with ground plane	VSWR without ground plane
Wideband	< 2.0 (460MHz – 6GHz)	< 2.0 (680MHz – 6GHz)
800MHz LTE	< 1,5	< 1,8
900MHz GSM/LTE	< 1,4	< 1,6
1800MHz DCS/LTE	< 1,5	< 1,3
1900MHz PCS/LTE	< 1,3	< 1,
2100MHz 3G/WCDM	< 1,4	< 1,2
2400MHz WLAN	< 1,5	< 1,3
2600MHz LTE	< 1,4	< 1,5
5850MHz WLAN	< 1,5	< 1,5



True Heading Dealer

This document is True Heading AB copyright. The True Heading policy is that of continuous research and development and is reserved to alter specification without prior notice.