



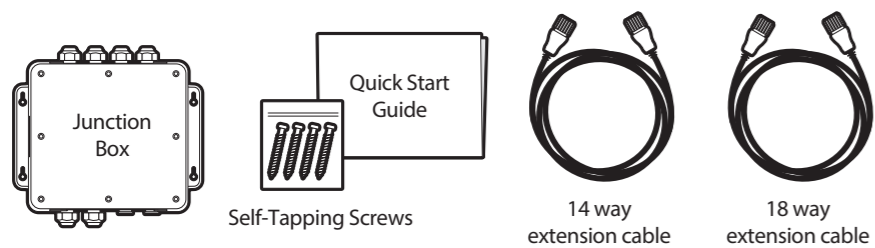
Vision Pro Junction Box

QUICK START GUIDE



For full instructions on how to install and use your Junction Box please refer to the product manual.

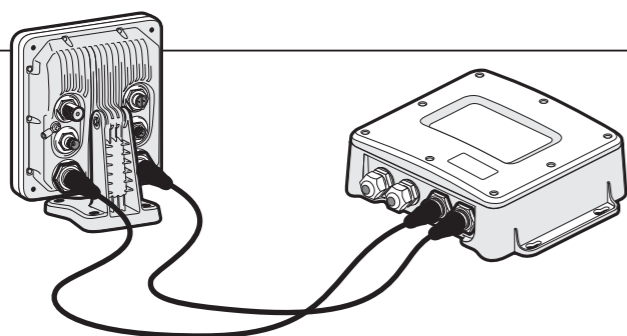
1 What's in the box?



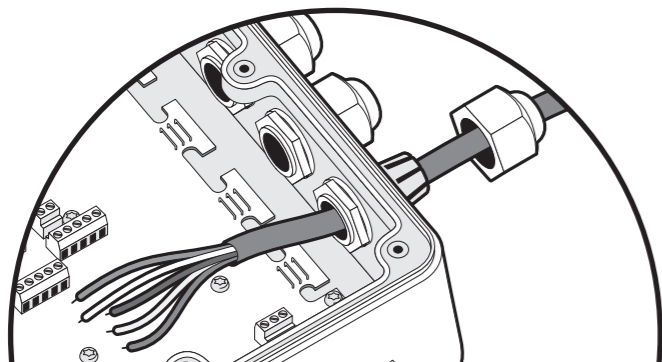
2 What do I need?



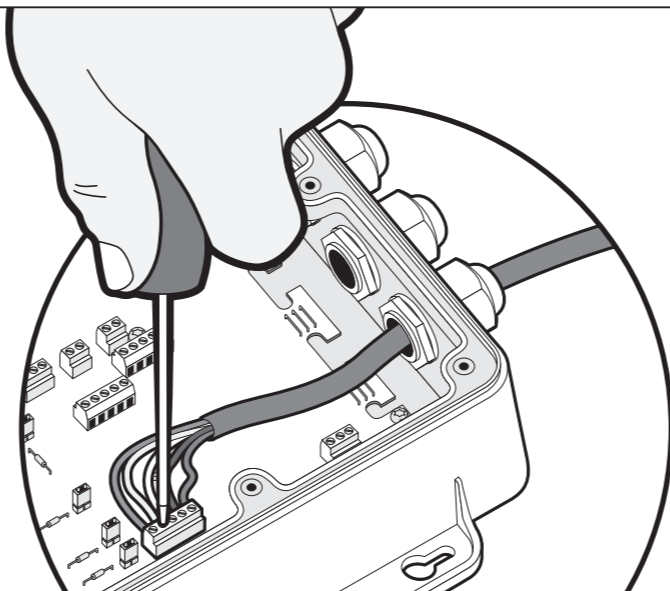
3



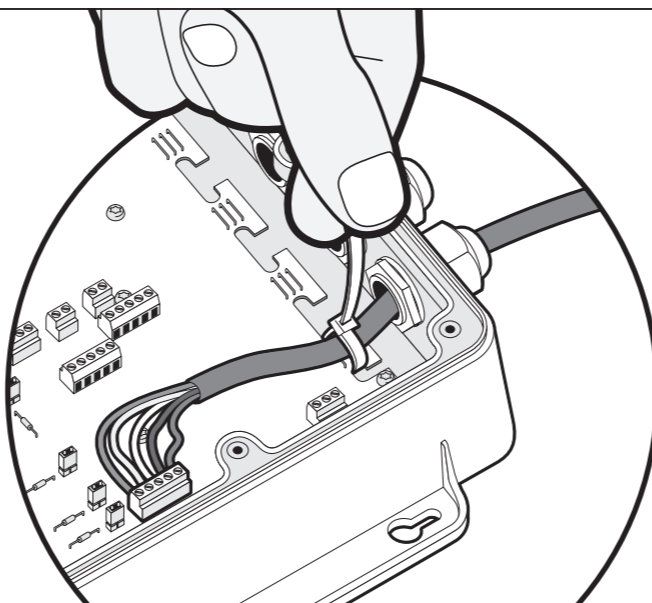
4



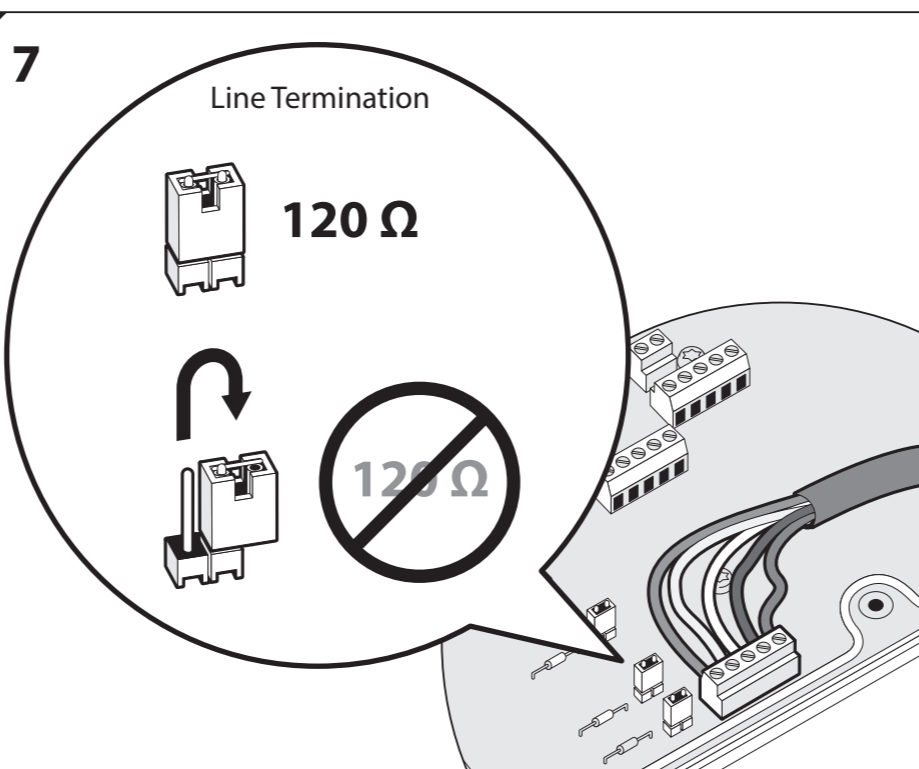
5



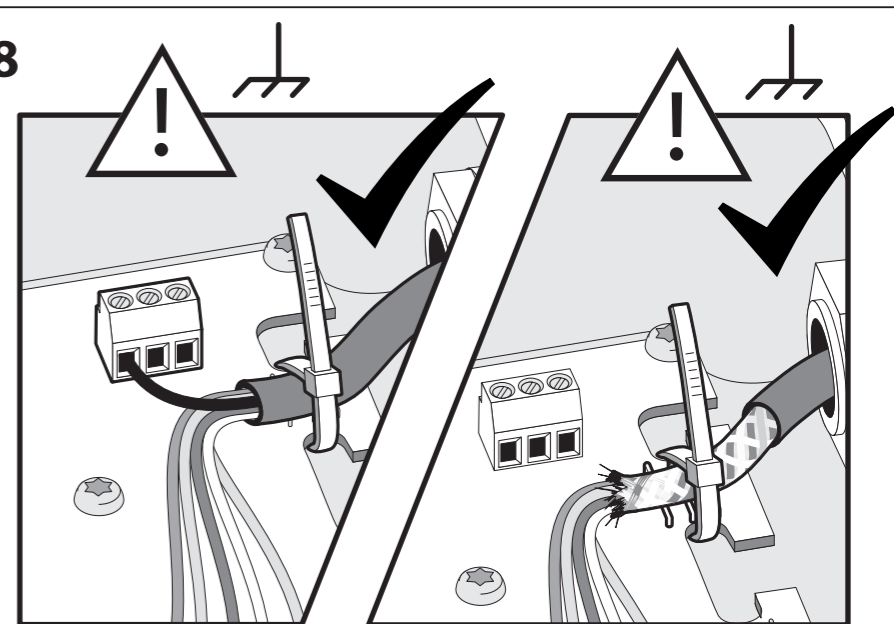
6



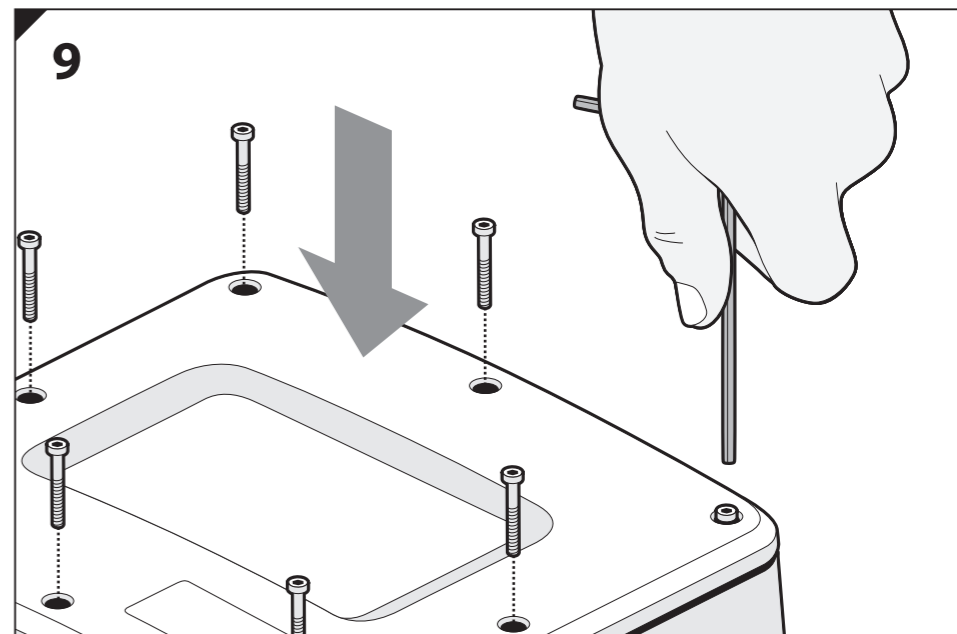
7



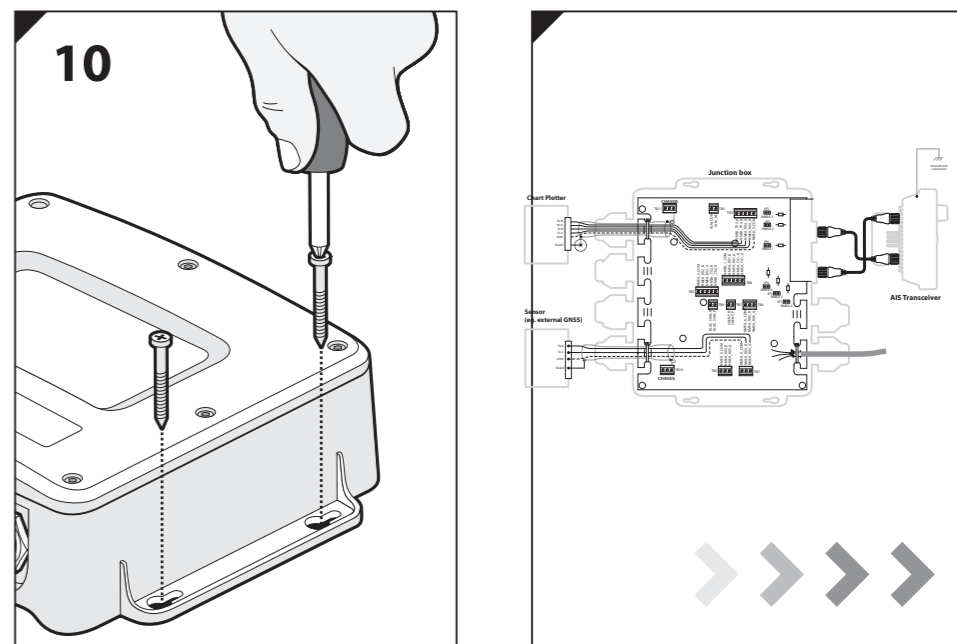
8



9

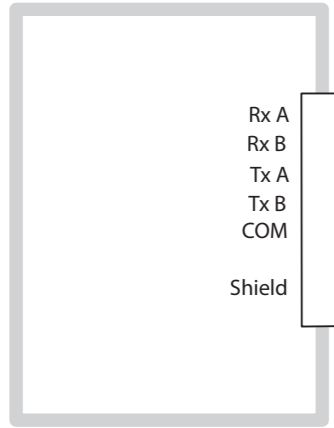


10



Common should be connected if available.

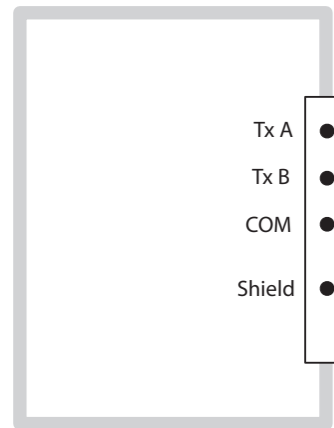
Chart Plotter



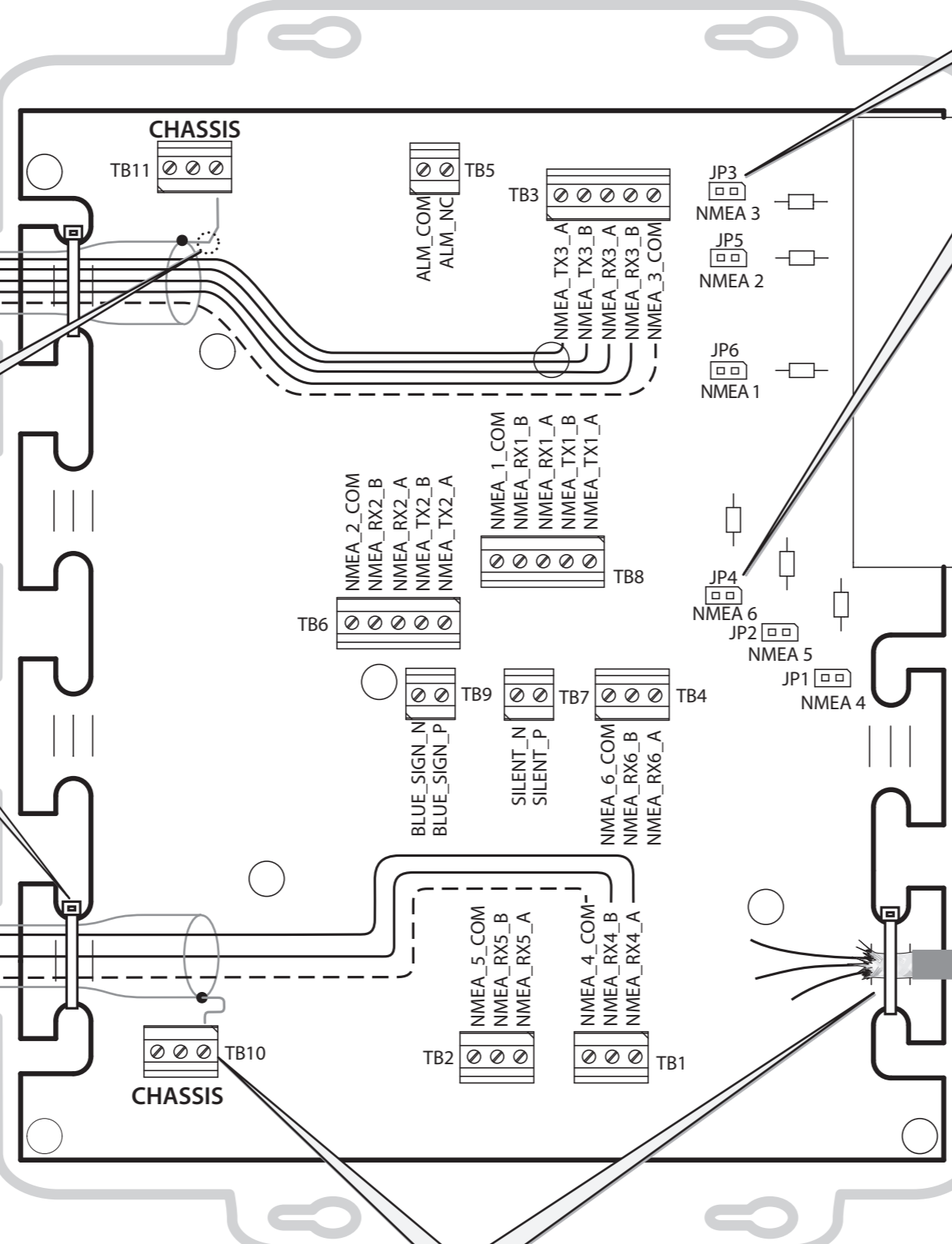
The shield should only be connected at one end for each connected device. Refer to the manufacturer's documentation regarding cable construction.

Secure cables with cable ties

Sensor (eg. external GNSS)



Junction box



120 Ohm termination jumpers
If serial port requires no termination then remove the appropriate jumper

Ground stud connection

AIS Transceiver

The chassis connection can be made with **EITHER** a drain wire **OR** directly to the cable shield using the exposed wire links depending on the cable construction.